



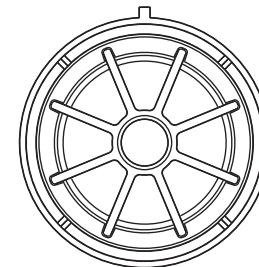
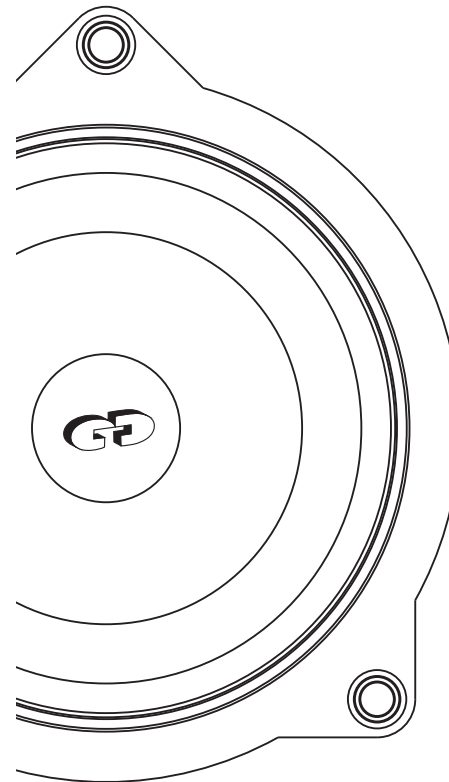
cdtaudio

let the music begin

BM4-Kit1

BM4-Kit2

USER MANUAL



cdtaudio

let the music begin

92 2nd, Street #B.
Buellton, California 93427 USA.
Ph: 1805-693-1980
www.cdtaudio.com
Support@cdtaudio.com

BM car specific series system design and engineering
by CDT Audiophile fanatics California USA

INTRODUCTON

CDT Audio BM-car specific easy upgrade component kits are suitable for BMW best selling models: 1 Series, 3 Series, 5 Series and so on. The speaker and tweeter fit into the factory location and use the factory connectors, you will enjoy the strongly improved sound quality with the help of the CDT sound upgrade system.

Packing List

- 1 pair of 25mm Silk dome tweeters with oval mount
- 1 pair of 4" Mid-range speakers
- 1 pair of highpass crossover network (For mid-range speaker)
- 1 pair of highpass inline crossover (For tweeter)
- User Manual

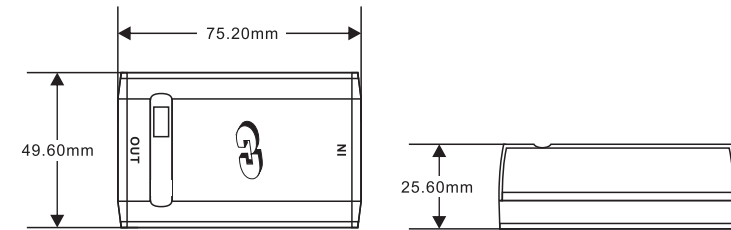
Highlights

- Direct fit audio system for BMW without modification.
- Using factory harness and connectors to allow plug & play.
- Quick and easy to installation.
- Mid-range speaker was designed in a cast aluminium construction for ultimate durability and performance.
- Biological fiber cone for authentic and brilliant sound reproduction.
- Integrated phase plug for better dispersion.
- Butyl rubber edge.
- 25mm silk dome tweeter.

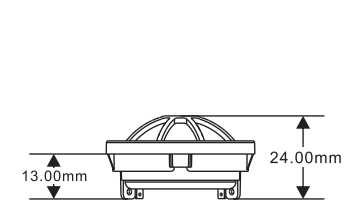
As for the content change, we are sorry for no further notice.

DIMENSION

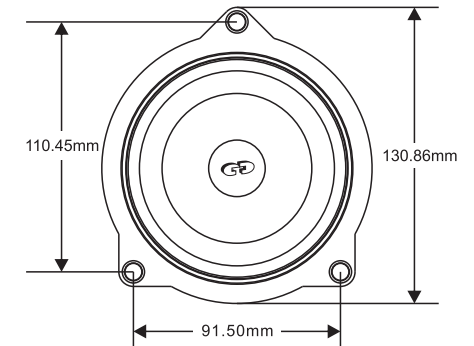
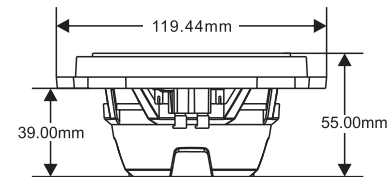
● crossover network



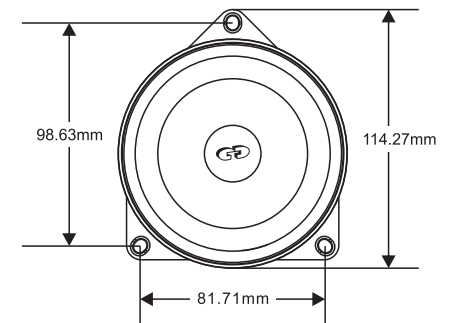
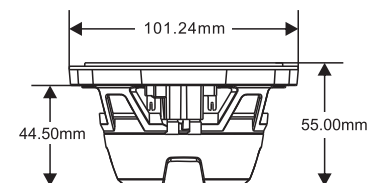
● 1-Inch tweeter



● 4-Inch mid-range speakers (BM4-Kit 1)



● 4-Inch mid-range speakers (BM4-Kit 2)



INSTALLATION

5. Now all is left is to put everything back and enjoy much improved sound, reconnect all the wiring and door latch cables and finally reassemble the door panel and firmly tighten the door panel bolts.



SPECIFICATION

Model	BM4-Kit1 / BM4-Kit2
Make power handling	60WRMS(HPF 100Hz)-100WRMS(HPF 130Hz)
Sensitivity	50Watts
SPL[1W/1m]	87.6dB
System frequency response	70Hz-20,000Hz
Mid-woofer frequency response	70Hz-10,000Hz

VEHICLE COMPATIBILITY LIST

BM4-Kit1:

1 series (2004-2011)-E81/E82/E87/E88(Front door)

3 series (2005-2011)-E90/E91(Front door/Rear door)
E92/E93(Front door),

5 series (2011-Current)-F10/F11(Front door/Rear door)

6 series(2011-Current)-F12/F13(Front door)

7 series(2008-Current)-F01(Front door/Rear door)

X1(2009-2012)-E84(Front door)

BM4-Kit2:

1 series(2011-Current)-F20/F21(Rear window shelf)

5 series(2010-Current)-F10(Rear window shelf)F11(Roof liner)

5 series(2010-Current)-E60/E61(Front door/Rear door)

6 series(2011-Current)-F13(Rear window shelf)

X1(2009-2012)-E84(Rear window shelf)

X3(2010-Current)-F25-(Dashboard)

X5(2006-Current)-E70(Front door/Rear door)

Z4(2009-Current)-E89(Front door)

Note: BM4-Kit2 can also be used in the Mini front doors
(Only fits for mid-range speaker)

INSTALLATION

The vehicle shown as reference is a BMW 5 series.
The speaker replacement of all BMW models are almost similar.



Mid-range speakers:

1. firstly you need to remove the trim piece by using the plastic removal tool or just your fingers. (door removal tool is essential to prevent damage to the door panel.)



You will need to lift up the trim piece first and then slide outward to release the trim from the door panel, as seen in the below photo. (Red arrows.)



INSTALLATION

4. Next replace the tweeter and re-insert the foam to the triangle housing.
The below illustration shows that the tweeter is flushed perfectly into the door triangle housing (door triangle housing is not included in the CDT Audio BM-car specific easy upgrade component kits, you can order the triangle part from your BMW dealer, as you can see it has the speaker grill and holder for a tweeter where the standard doesn't.)



INSTALLATION

Tweeter:

1. The factory blank tweeter housing location.



2. Carefully pry out the blank tweeter housing. (Before starting, we recommend to fully open the window, this will help during the operation)



3. Original tweeter housing removed.



INSTALLATION

2. Remove the door handle.



3. Note that the door panel is fixed by numerous plastic clips, carefully pry away the door upward and disconnect all wiring and door latch cables. Be very careful to avoid the damage of the plastic clips during the door panel dis-assembly.

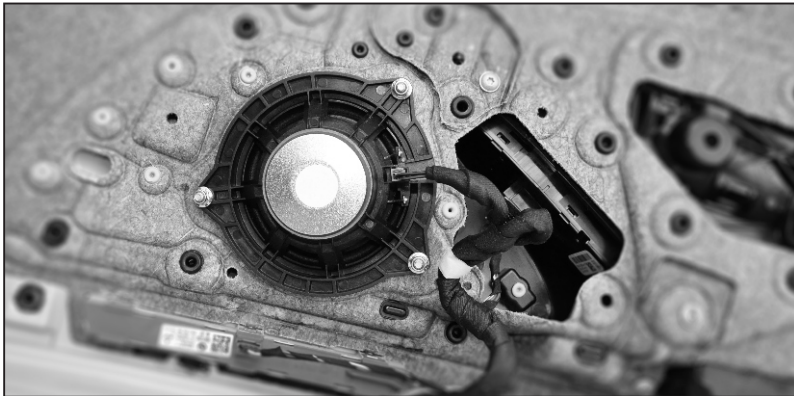


INSTALLATION

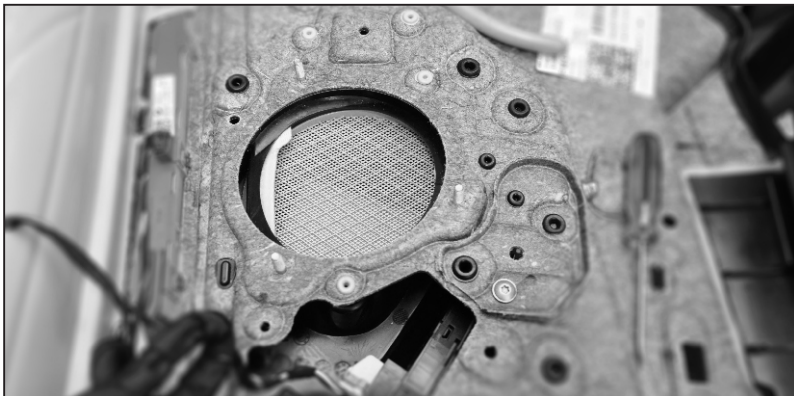
4. Front door cards removed.



5. Original mid-range speaker is held in by three bolts.



6. Original mid-range speaker removed.



INSTALLATION

7. The below illustration shows the comparison of factory speaker(left) and CDT Audio upgrade 4" speaker, CDT Audio mid-range speaker uses a cast aluminum chassis, powerful yet tiny neodymium magnet.



8. Replace the original mid-range speaker with CDT Audio BM-car mid-range speaker, using the original bolts. Once the speaker mounting is done, reconnect the speaker wire and the provided crossover network&inline crossover. Then you have to fix the crossover network to the door panel [by using the double adhesive tape which is already attached on the crossover network or cable ties]

